

## VERTICAL SINGLE AXIS TRACKER

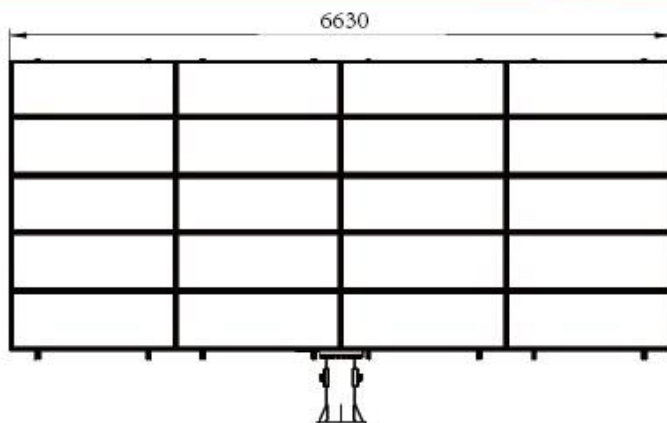
### TRACKER SPECIFICATIONS

Tracking Type	Vertical single axis tracking
Module Tilt Angle	Any between 10° ~ 40°
Drive Type	Slewing drive
Solar Module Supported	60 cells silicon module
Number of Solar Module	20
Corrosion Protection	Hot-dip galvanized steel
Power Supply	AC220V, 200W
Daily Energy Consumption	0.1kWh
Wind Protection	Stow when wind speed > 72km/h (~45mph)
Max Stow Time	< 5min
Max Working Wind Speed	72km/h (~45mph)
Max Wind Speed	144km/h (~90mph)
Max Snow Load	25kg/m <sup>2</sup>
Operation Temperature	-30°C (-22°F) to 60°C (140°F)

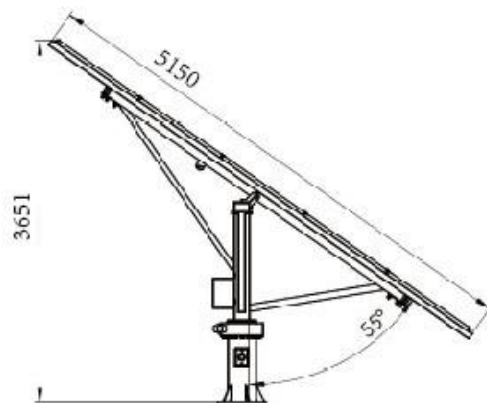
### ELECTRONIC CONTROLLER SPECIFICATIONS

Tracking Azimuth Angle	-120° ~ +120°
Control System	MCU
Control Algorithm	Astronomical algorithms
Tracking Accuracy	< ± 2°
Backtracking	Yes
Communication Interface	Modbus/RS485

### Example Drawings



Front View



Side View